

MMW Watt Digital Meter



An ISO 9001:2008 Company

FEATURES

- Suitable for 1 φ 2W / 1 φ 3W / 3 φ 3W / 3 φ 4W system
- Size: 96 W x 48 H x 100 D (mm)
- 5 Digit display: -32768~32767 Count
- Optional RS-485 Modbus RTU
- Optional DC 4~20mA output
- Bi-direction measurement and display



FUNCTION SELECTION

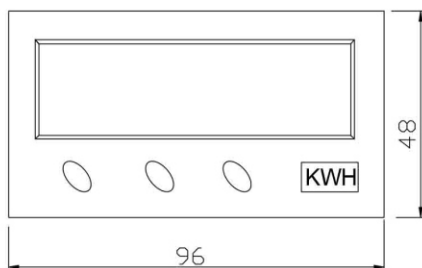
MMW - code1 code2 code3 code4 code5 code6

CODE 1		CODE 2		CODE 3		CODE 4		CODE 5		CODE 6	
INPUT VOLTAGE		INPUT CURRENT		INPUT FREQUENCY		OUTPUT 1		OUTPUT 2		AUX. POWER	
1	55-440V(L-L)	1	1A	1	50 HZ	1	2 Alarm	1	RS-485	3	DC 22~72V
		2	5A	2	60 HZ	3	DC 4~20mA		ModbusRTU	6	AC/DC85~265V
						0	None	0	None		
Y	Other	Y	Other	Y	Other	Y	Other	Y	Other	Y	Other

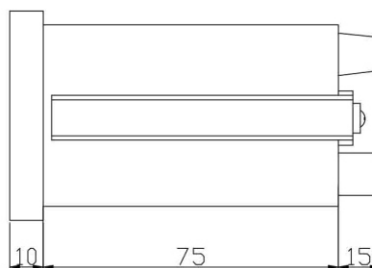
SPECIFICATIONS

Accuracy	: $\pm 0.5\%RD$ at $23^{\circ}C \pm 3^{\circ}C$	Output Function	: 4~20mA 330Ω at 20ma (Optional)
Display Range	: 0.4" High brightness red LED 5-digit -32768~32767	Alarm Function	: 2 Alarm Setting (Optional)
Input Range	: Input 55~440V(L-L) (Max: 500V L-L) Normal Current 5A, Effective Range 0~6A Normal Current 1A, Effective Range 0~1.5A.	Dielectric Strength	: 2.0KV 50/60HZ AC / Min Between Input / Power / Case.
Input Burden	: Voltage 0.25VA ; Current 0.2VA@50/60Hz	Power Supply	: AC 85~265V 50 / 60Hz DC 100~300V
Input Frequency	: 45~70HZ	Dimension	: 96 W X 48 H X 100 D mm.
Input Over	: Normal AC 5A, Current Over 15A Continuous Normal AC 440V, Voltage Over 600V Continuous	Cut-out	: 92W x 44H < mm >
Digital Output Load	: RS-485 MODBUS RTU	Mounting	: Panel Flush Mounting
Baudrate	: 2400.4800.9600.19200.38400.57600	Housing Material	: ABS Plastic, Self-Extinguishing
Address	: 1~255	Operating Condition	: $-10^{\circ}C \sim 55^{\circ}C$ 20 ~ 95% RH Non-Condensed.
		Storage Condition	: $-40^{\circ}C \sim 75^{\circ}C$ 20 ~ 95% RH Non-Condense

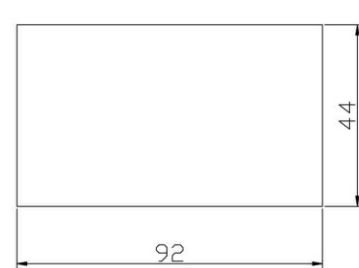
SIZE (mm)



FRONT-VIEW

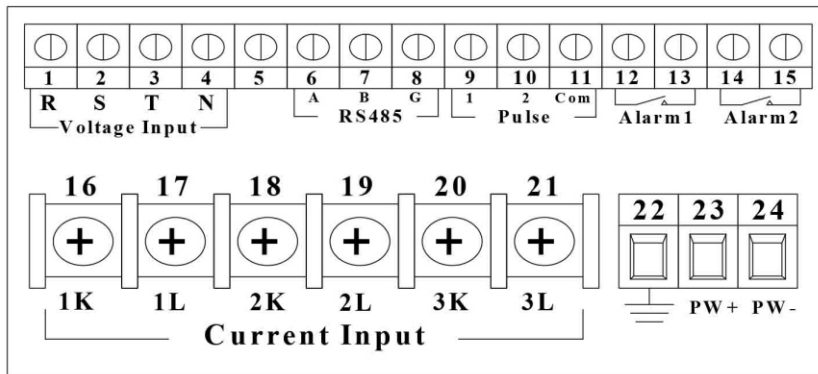


SIDE-VIEW

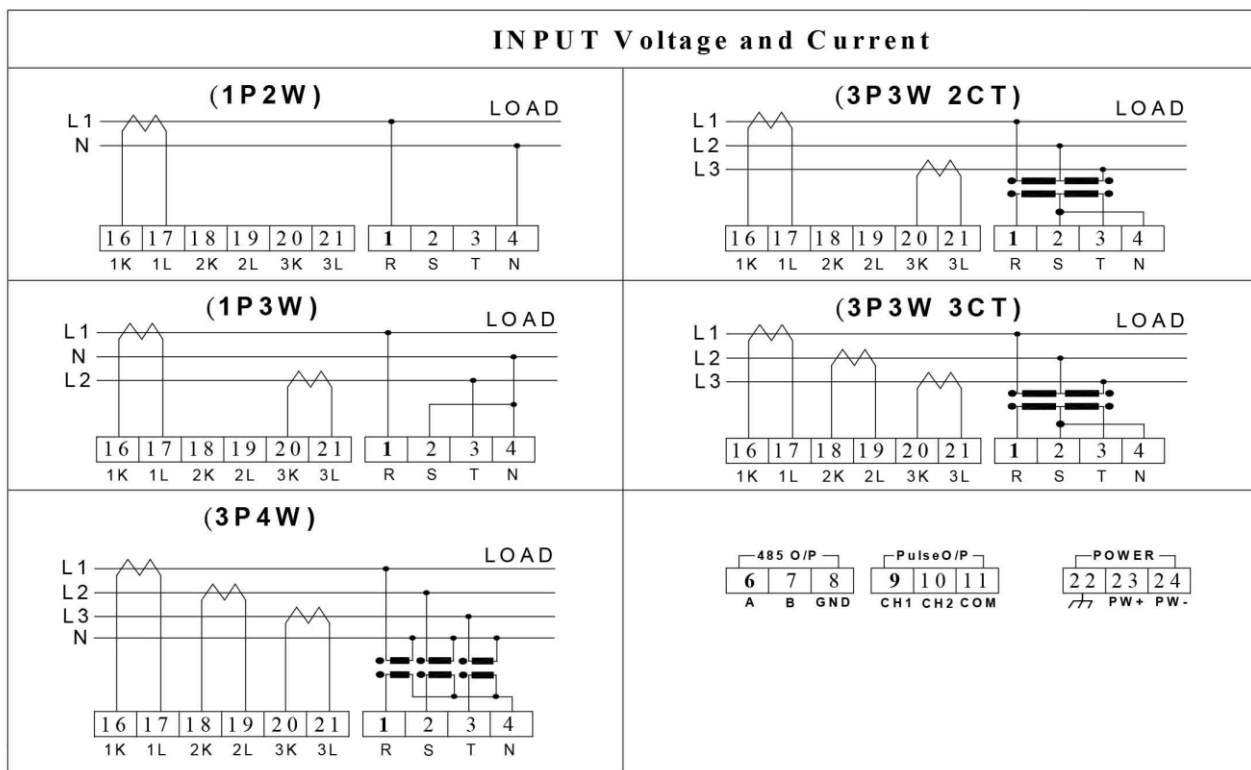


CUT-OUT

TERMINALS



CONNECTION DIAGRAM



All Specifications are subject to change without prior notice.

KUSAM-MECO[®]
An ISO 9001:2008 Company

G-17, Bharat Industrial Estate, T. J. Road, Sewree (W), Mumbai - 400 015. INDIA.
Sales Direct.: 022-24156638, **Tel. :** 022-24124540, 24181649, **Fax :** 022-24149659
Email : kusam_meco@vsnl.net, **Website :** www.kusamelectrical.com